

## SEAT RAILS - MAINTENANCE PRACTICES

### 1. General

- A. Seat rails are located in crew and passenger compartment. They provide support for crew and passenger seats. The passenger seat rails are installed as an integral part of airplane structure and are attached to floor boards with rivets. The flight compartment seat rails are attached with both screws and rivets.

### 2. Flight Compartment Seat Rail Removal/Installation

- A. Remove Flight Compartment Seat Rails (Refer to Figure 201).

**WARNING: When it becomes necessary to replace seat rail rivets, great care should be taken in their removal so that rivet holes will retain their original size and not require larger size rivets.**

- (1) Remove flight compartment crew seats. Refer to Chapter 25, Flight Compartment - Maintenance Practices.
- (2) Remove vinyl floor covering.
- (3) Remove screws (1) securing seat rails to supports.
- (4) Remove rivets (2) securing seat rails to supports and remove seat rails.

- B. Install Flight Compartment Seat Rails (Refer to Figure 201).

**NOTE: Seal the lap joints between the floorboard panels and the seat tracks with Type III (3M 4930) tape, except for those adjacent to the fuel reservoir.**

- (1) Position seat rails and install screws (1) securing seat rails to supports.
- (2) Install rivets (2) securing seat rails to supports.
- (3) Install vinyl floor covering.
- (4) Install flight compartment crew seats. Refer to Chapter 25, Flight Compartment - Maintenance Practices.

### 3. Passenger Seat Rail Removal/Installation

- A. Remove Passenger Seat Rail (Refer to Figure 201).

**WARNING: When it becomes necessary to replace seat rail rivets, great care should be taken in their removal so that rivet holes will retain their original size and not require larger size rivets.**

- (1) Remove passenger compartment seats. Refer to Chapter 25, Passenger Seats/Seat Belts - Maintenance Practices.
- (2) Remove vinyl floor covering.
- (3) Remove rivets and floorboards as required to gain access to seat rails, and remove seat rails.

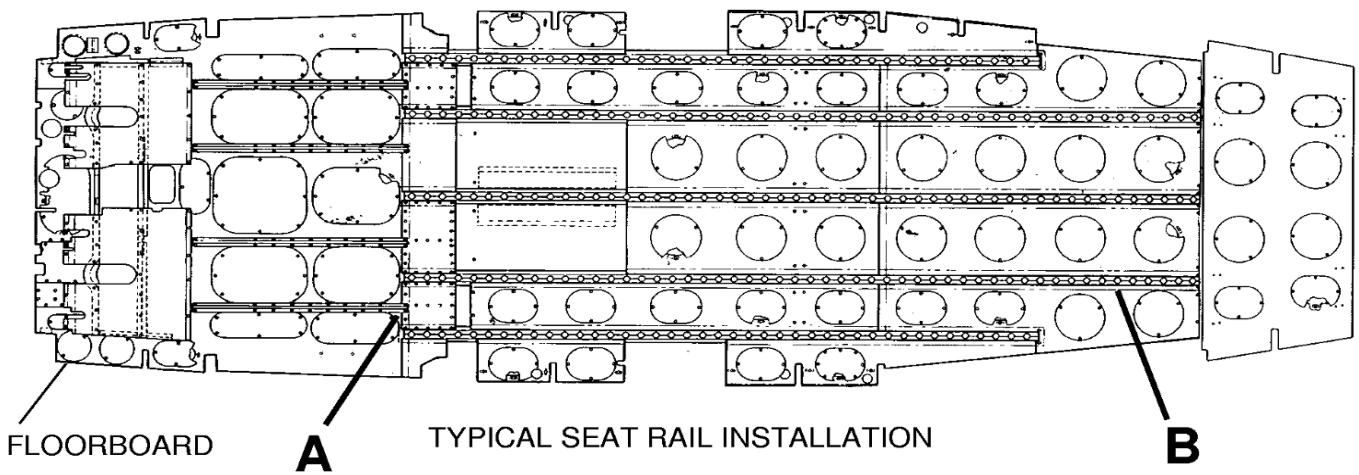
- B. Install Passenger Seat Rail (Refer to Figure 201).

**NOTE: Seal the lap joints between the floorboard panels and the seat tracks with Type III (3M 4930) tape, except for those adjacent to the fuel reservoir.**

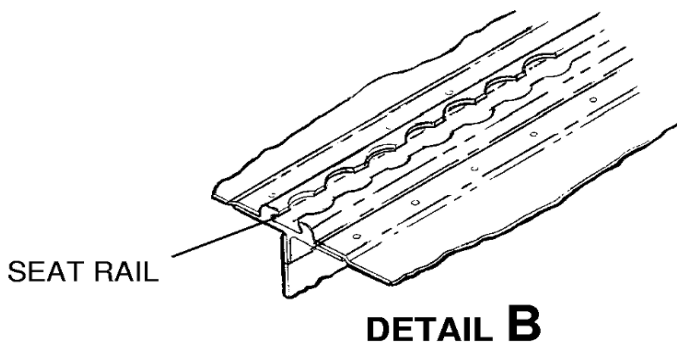
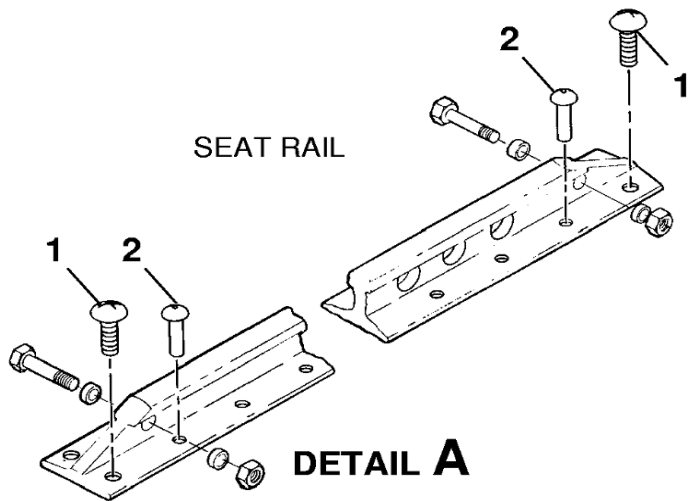
- (1) Position floorboards and install rivets securing seat rails to floorboards.
- (2) Install vinyl floor covering.
- (3) Install passenger compartment seats. Refer to Chapter 25, Passenger Seats/Seat Belts - Maintenance Practices.

Figure 201 : Sheet 1 : Seat Rails Installation

A22232



- 1. SCREW
- 2. RIVET



26113009  
26114005  
A2611X1027  
B2611X1027